

IKARPC-W10A

Vehicle Computer Series

Features

- 10.1" TFT LCD with projected capacitive touchscreen
- Intel® Atom™ E3826 1.46 GHz CPU
- Windows® Embedded Standard 7
- Option HSUPA/GPRS/GSM, Wi-Fi and Bluetooth
- Built-in GPS function
- Built-in OBD-II/J1939



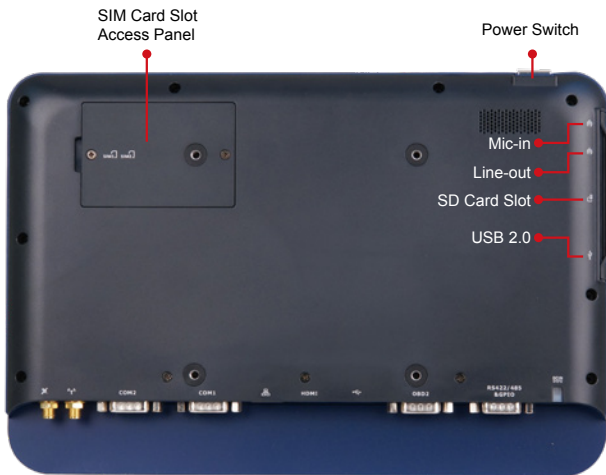
Specifications

| Model Name | | IKARPC-W10A |
|------------------------|---------------------------------|---|
| Chassis | Color | Blue C + Black C |
| | Dimensions (WxHxD) (mm) | 277 x 186 x 27 |
| | System Fan | Fanless |
| | Chassis Construction | PC + ABS plastic |
| Display | Size | 10.1" |
| | Resolution | 1280 x 800 |
| | Brightness (cd/m ²) | 350 |
| | Contrast Ratio | 800:1 |
| | Pixel Pitch (mm) | 0.0565 (W) x 0.1695 (H) |
| | Viewing Angle (H/V) | 150° (H)/145° (V) |
| | Touchscreen | Projected capacitive touch with USB interface |
| Motherboard | CPU | Intel® Atom™ processor E3826 (dual-core, 1.46 GHz, 7W) |
| | Chipset | SoC |
| | System Memory | On-Board 2GB DDR3L 1 x 204-pin DDR3L SO-DIMM. (Max. 4GB) |
| Storage | Hard Drive | 1 x 2.5" SATA 3Gb/s HDD/SSD drive bay |
| | SD Card | 1 x SD slot (supports SD 2.0, max. 32 GB) |
| Communication | WLAN | PCIe Mini Wi-Fi 802.11a/b/g/n/ac (optional) |
| | Bluetooth | BT 4.0/3.0+HS (combo with WLAN optional module) |
| | WWAN | PCIe Mini WCDMA/HSDPA/HSUPA (optional) |
| | GPS | On board GPS |
| I/O Interfaces | USB 3.1 Gen 1 | 1 |
| | USB 2.0 | 1 |
| | Ethernet | 1 x RJ-45 PCIe GbE by Realtek 8111E |
| | COM Port | 2 x DB-9 RS-232 |
| | Digital I/O | 8-bit digital I/O (4-bit input / 4-bit output) |
| | CAN-bus/OBD-II | 1 x DB9 OBD-II/J1939 |
| | Display | 1 x HDMI |
| | Resolution | HDMI: Up to 1920 x 1080 @ 60 Hz |
| | Audio | 1 x Line out, 1 x Mic in |
| | SIM | 2 x on board SIM card slot |
| | Antenna | 1 x GPS, 1 x WWAN |
| Expansions | PCIe Mini | 1 x Full-size PCIe Mini (reserved for WWAN module), 1 x Full-size PCIe Mini (reserved for WLAN module) |
| | Audio | 1 x Speaker (2 W) |
| Multimedia | Camera | 2-megapixel CMOS |
| | Indicator | Power/Wi-Fi/HDD/3.5G |
| LED Indicator & Button | Button | 1 x Power button |
| | Power Input | Cigarette lighter power cable, DC 9 V~30 V |
| Power | Consumption | 12 V @ 1.73 A |
| | Mounting | VESA 100 |
| Reliability | Operating Temperature | -10°C ~ 60°C with air flow |
| | Storage Temperature | -20°C ~ 70°C |
| | Humidity | 10% ~ 95%, non-condensing |
| | Operating Shock | Half-sine wave shock 5G, 11ms, 3 shocks per axis |
| | Operating Vibration | MIL-STD-810F 514.5C-2 (with SSD) |
| | Weight (Net/Gross) | 1.3 kg/2.8 kg |
| | Safety/EMC | CE/FCC/E-Mark/IP 64 compliant front panel |
| OS | Supported OS | Microsoft® Windows® Embedded 8, Microsoft® Windows® Embedded Standard 7 E |

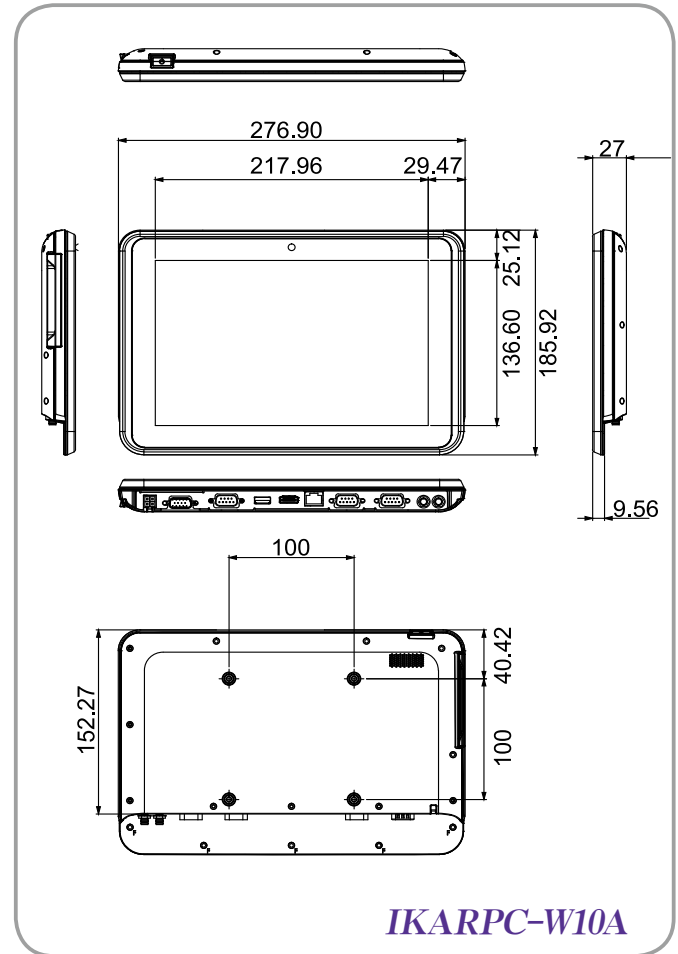
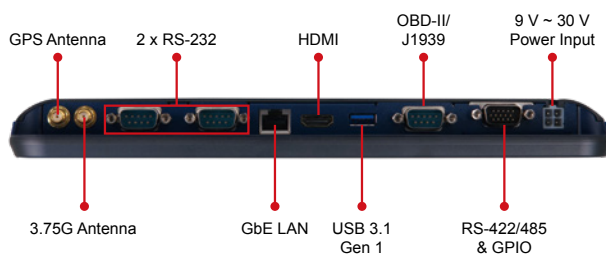
Fully Integrated I/O

Dimensions (Unit: mm)

Rear view



Bottom view



Ordering Information

| Part No. | Description |
|--------------------------|---|
| IKARPC-W10A-BT-E3/2G-R10 | 10.1" 350 cd/m2 1280 x 800, in-vehicle panel PC with Intel® Atom E3826 1.46GHz, 7W TDP, 2GB DDR3L on-board memory, OBD-II, on-board GPS, 2-megapixel camera, RoHS |

Options

| Item | Part No. | Description |
|----------------------------------|--------------------------|--|
| Power adapter | IVIPOWER-4PIN-R10 | Power adapter with 4-pin transfer cable, RoHS |
| Cigarette lighter power cable | 32002-004000-100-RS | Round cable, power cable, car cigarette lighter cable, 2000 mm, 18 AWG, (A) cigarette lighter (5 A 250 V)+ ψ3 green LED, (B) MOLEX 5557-0400 P=4.2, RoHS |
| OBD-II cable | 32025-003400-100-RS | Round cable, OBD-II cable, 2000 mm, 24 AWG, (A) OBD-II 16P male, (B) D-sub 9P female, one piece package with label, RoHS |
| OS: Windows Embedded 7 (DVD-ROM) | IKARPC-W10A-BT-WES7P-R10 | OS image with Windows® Embedded Standard 7 E for IKARPC-W10A-BT Series, DVD-ROM, RoHS |
| OS: Windows Embedded 8 (DVD-ROM) | IKARPC-W10A-WE8S-R10 | OS image with Windows® Embedded Standard 8 E for IKARPC-W10A Series, WE8S license label, DVD-ROM, RoHS |
| Wireless kit | IKARPC-WIFI-KIT02-R10 | 1T1R wifi module kit for embedded system, IEEE802.11a/b/g/n/ac WiFi with Bluetooth 4.0/3.0+HS, 1 x wifi module, RoHS |
| WWAN kit | IKARPC-3G-KIT02-R10 | F260 3.75G module kit for embedded system, with BT V2.1, RoHS |
| VESA mount stand | IVI-MK02-R10 | 286mm 75x75 / 100x100 VESA mount stand |

Packing List

| Item | Part No. | Qty | Description |
|---------------------|---------------------|-----|---|
| Power Cable w/ core | 32002-001900-100-RS | 1 | Round cable, power cable, 3000mm, RoHS |
| | 30600-000056-RS | 1 | Cable Core 13φ, 33x31.5x33mm, RoHS |
| GPS/GSM Antenna | 32506-000100-100-RS | 1 | Integration antenna, GPS/GSM, RG 174, 5000mm/5000mm, PPF-5423SA5X-999, Magnetic mount: φ55x22mm, 1575.42MHz/850MHz/900MHz/1800MHz/1900MHz, SMA plug x 2 |